

Extra Aux input for Beovision

A Beovision with Masterlink can get an extra AUX input by attaching a Beolink converter type 1611, 1612 or 1614 to the Masterlink connection.

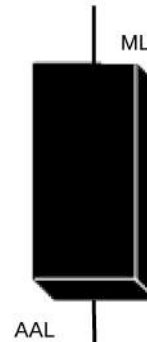
The AAL connector on the Beolink Converter will be activated by an Audio source command. The Beovision has to be set top A.OPT 2 to be able to receive both audio and video commands.

The setup will not work if a B&O Audio system is present in the same room and/or connected to the Masterlink connection

Beovision with Masterlink (V.OPT 2 or V.OPT 6)



MASTER LINK *



BEOLINK
CONVERTER
1611/1612/1614**

3.5mm minijack to
5 or 7 pin DIN cable***

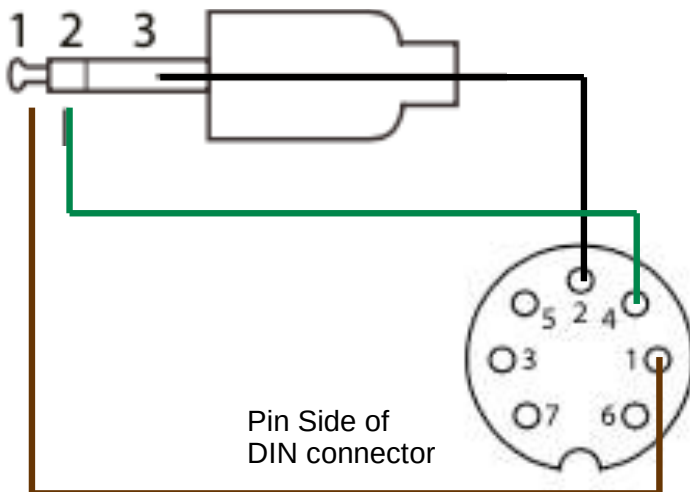


Chromecast
Audio



**RADIO
PHONO
CD
A.TAPE
A.MEM**

** Special pinout of DIN connector when used as Audio source input on Beolink Converter



* Additional Masterlink link room products like Beolab 2000, Beolink Active, Beolink Passive or Beovision can also be used or added in this setup. The setup will not work if a Beosound with Masterlink is connected as Audio Master.
**If a Beolink Converter 1614 is used link room speakers will only work if the TV is in V.OPT 2.