

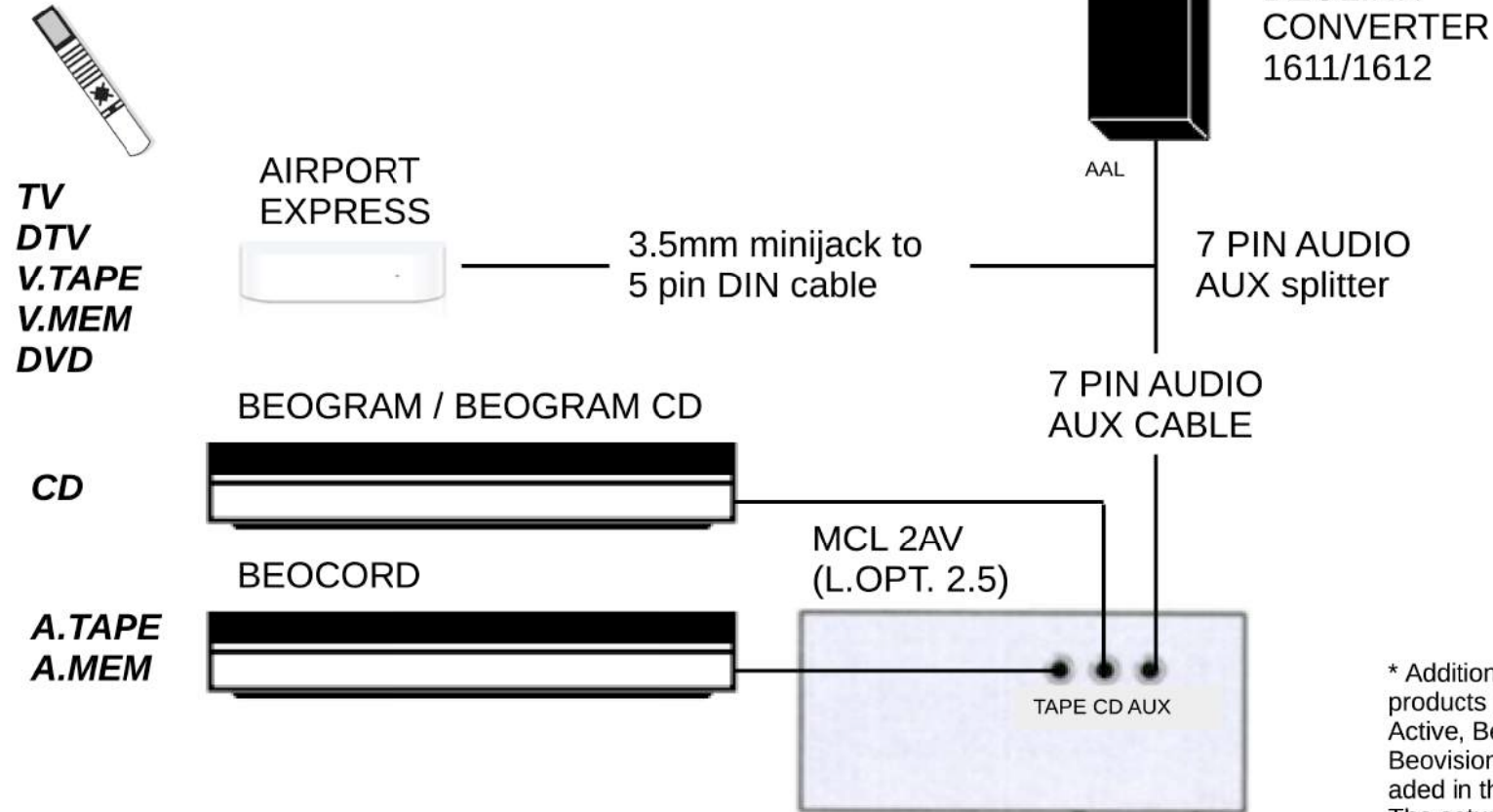
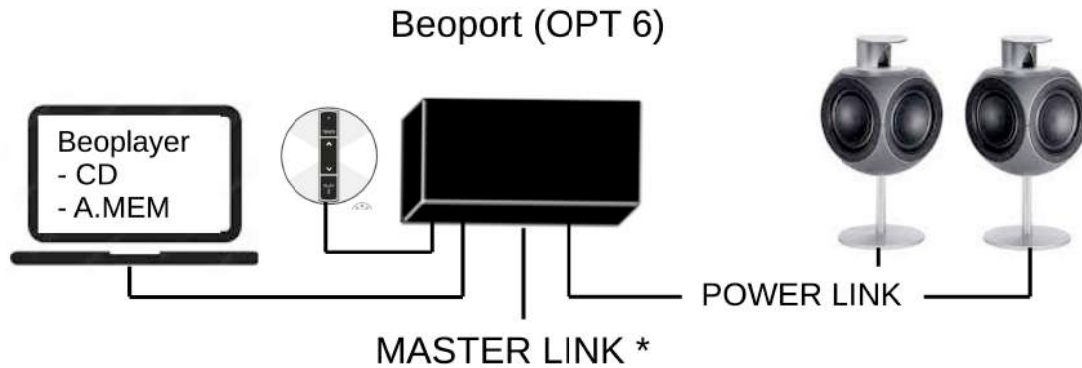
Extra sources for Beoport

A Beoport can get extra audio inputs by attaching a Beolink converter type 1611 or 1612 to the Masterlink connection.

The AAL connector on the Beolink Converter will be activated by an Audio or Video source command. The Beoport has to be set top A.OPT 6 to be able to receive both audio and video commands.

If a MCL2AV (opt. 2.5) is connected to the AAL connector on the Beolink converter the Audio source inputs on the MCL2AV can be remote controlled from the Beoport.

Note that not all commands can be added in the Beoport software.



* Additional Masterlink link room products like Beolab 2000, Beolink Active, Beolink Passive or Beovision can also be used or added in this setup
The setup will not work if a Beosound with Masterlink is connected as Audio Master