

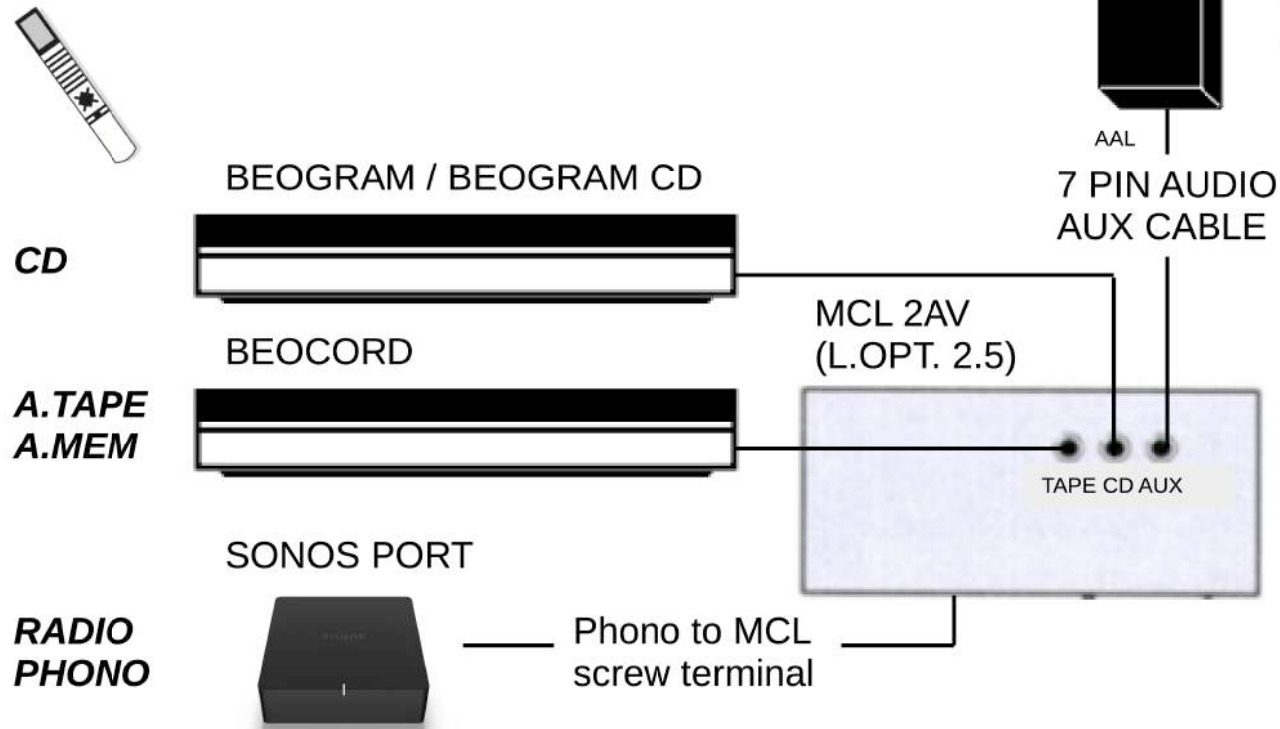
Extra sources for Beovision

A Beovision TV can get extra audio inputs by attaching a Beolink converter type 1611, 1612 or 1614 to the Masterlink connection.

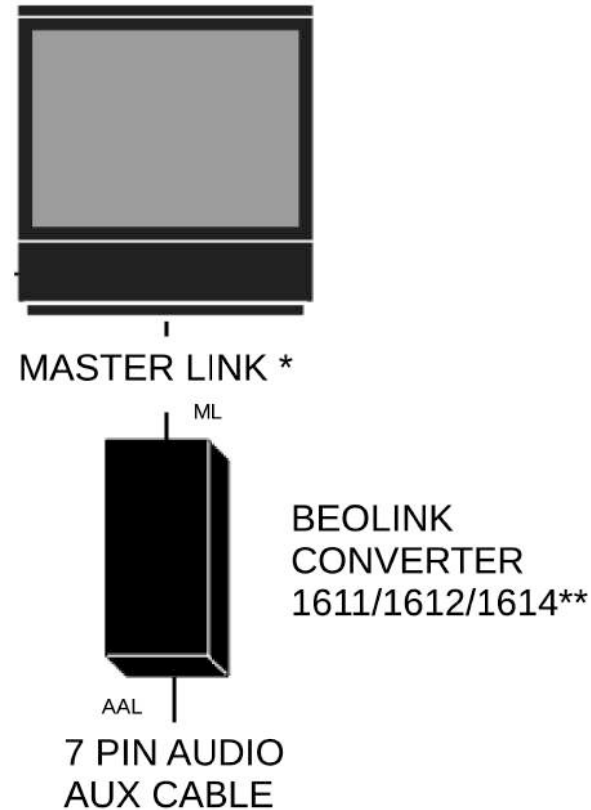
The AAL connector on the Beolink Converter will be activated by an Audio source command. The Beovision has to be set top A.OPT 2 or 6 to be able to receive both audio and video commands.

A MCL2AV (opt. 2.5) connected to the AAL connector on the Beolink converter makes it possible to control Beogram / Beogram CD with the CD command and Beocord tape players with the A.TAPE or A.MEM command. The connected players has to be datalink compatible and have all 7 pins in the DIN connector.

All other Audio commands like RADIO and PHONO will be redirected to the screw terminal connector on the MCL2AV. Here it is possible to connect an extra audio source by connecting to the L, R and ground terminals. Sound quality for this connections may vary.



Beovision with Masterlink (V.OPT 2 or V.OPT 6)



* Additional Masterlink link room products like Beolab 2000, Beolink Active, Beolink Passive or Beovision can also be used or added in this setup
The setup will not work if a Beosound with Masterlink is connected as Audio Master
** If a Beolink Converter 1614 is used link room speakers will only work if the TV is in V.OPT 2.